

Child's bicycle seat OKBABY SIRIUS

OKBABY S.r.l.

ENGLISH

Instructions for use and assembly

IMPORTANT/NOTE:

Read these instructions carefully and keep them in a safe place.
Follow and respect the safety warnings!
Become familiar with assembly and use before using the child's seat.

Contenuto

1	Safety warnings	.63
2	Correct use	.65
3	Product overview	.65
4	Product description	.66
5	Signs and symbols	.66
6	Mounting and assembling the seat	.67
7	Use.	.71
8	Optional accessories	.73
9	Cleaning and disposal	.74
10	List of problems	.74
11	Guarantee and assistance	.74
12	Technical data	.75
13	Conformity and manufacturer	.75

© 2005 Okbaby S.r.l.
Via del Lavoro 26
24060 Telgate (BG) Italy

Rights of translation, reproduction and total or partial adaptation by any means reserved for all countries.

1 Safety warnings



DANGER! Follow and respect the following safety warnings!
Otherwise, in the case of an accident or defect, the child's life may be in danger.

General warnings

The overall weight of the rider, child and bike seat must never exceed the maximum load allowed for the bike.

Check that the bicycle is suitable for the addition of supplementary loads.
We also recommend checking the information provided with the bicycle or asking for information and advice from its manufacturer.

Never carry two children at the same time on the seat or on the bicycle.

An excessive load would prevent riding it correctly. It would also not be possible to guarantee the correct safety for the child.

Periodically check that the child's weight does not exceed the maximum weight allowed by the seat.

No modifications must be made to the child's seat! After an accident, have the seat checked by a specialized dealer or a specialist and have any damaged parts replaced.

The seat must in no case be used if it has not been checked or has any damaged parts!

The material of the seat (polypropylene) loses some of its mechanical properties with the ageing process, if exposed for a long period to the effects of the environment (sun, rain, ice etc.).

In the case of normal use and exposure to environmental effects, the seat should be replaced after three years.

Always remove the seat from the bicycle if it is carried on the roof of a car or in a bicycle carrier. Resistance of the air could ruin the seat or remove it from the bicycle. To carry a child under 7 on the seat, the person riding the bicycle must be at least 18 years old, according to the rules of the Highway Code in force in Italy. If the child's seat is to be used in other countries, please check on the laws in force each time.

For safety reasons, a protective helmet should be worn both by the person riding the bicycle and by the child.

Always ride carefully and respect the rules of the traffic.

OKBABY SIRIUS child's bicycle seat

Place the child in the seat only if he/she can stay seated autonomously and without strain (from an age of about nine months and/or from a weight of about 9 kg.)

Safety of assembly and/or bicycle

The child's seat should be installed on touring bicycles with normal wheels.

The use of the bicycle seat on racing bicycles with thin wheels may be a safety risk.

Cover any springs under the saddle with a suitable covering (available at your specialized retailer) to avoid the child's fingers catching in them.

Cover the back wheel with suitable lateral protection (available at your specialized dealer) to prevent the child coming into contact with the wheel as it revolves.

To increase the stability of your bicycle, we recommend mounting a robust and stable kickstand.

Make sure that the child cannot operate safety or locking systems or other blocks on the bicycle, whilst in the seat.

Do not place bags or additional equipment on the seat.

If it were necessary to transport a bag or additional equipment, place it at the opposite end of the bicycle, for example, in the case of a seat fixed at the rear, position the additional load in the front and vice versa.

If the child's seat is not fixed correctly, this may endanger the child's life!

Before the first use:

After having installed the seat and put the child in it, before going out on to the road, become familiar with the bicycle and become aware that the balances and weights have changed.

Before each ride:

1) Check the support arm: it must be inserted in the correct position.

Make sure that the safety lever of the fixing block is locked in the two housings of the support bracket. Pull the support arm upwards to check its resistance.

2) Check that the fixing block is tightly screwed. It must not move and/or shift on the frame. Check it at regular intervals.

3) Make sure that the child's seat once installed does not compromise the action of the brakes and that the moving parts of the bicycle – pedals and back wheel – do not come into collision with the child's seat.

4) Failure to use the safety belt endangers the child's life! Always attach the safety belt to the child, even for only a short journey. The belts must be comfortable, but without sliding off the shoulders.

If the seat is empty, tighten the safety belt in any case. Otherwise the belts could get tangled in any obstacles. Always attach the foot straps so that the child cannot get free.

5) The seat and the padding may heat up if exposed to the sun for any length of time.

Ensure that they are not too hot before placing the child in the seat.

6) Make sure that the child and his/her clothing cannot come into contact with the moving parts of the bicycle, in particular the child's feet with the wheels, the fingers with the braking mechanisms and the support springs of the bicycle saddle. Periodically check these points as the child grows.

7) Make sure that the child cannot come into contact with any sharp objects on the bicycle such as frayed or worn brake cables.

Whilst riding:

Never park the bicycle leaving the child in the seat, even if the position of the bicycle seems stable. If the child is in the seat, the bicycle must always be held by the person riding it.

Consider that the child perceives the climatic conditions (wind, cold, etc.) differently, as he/she is not moving. Therefore the child must be protected with adequate clothing.

2 Correct use

The SIRIUS child's seat is designed and allowed to transport children weighing between 9 and 22 kg and/or between approximately 9 months and 6 years of age. The child to be carried must be able to sit up straight alone.

The child's seat can be mounted on bicycles or on bicycles with electrical motor-assisted pedalling; mounting on two-wheeled vehicles other than these (such as scooters, motorcycles, motorbikes etc.) does not comply with provisions and therefore is prohibited. The child's seat is mounted behind the rider on the frame of the bicycle under the saddle as shown in the figures in these assembly instructions. Any other use is unacceptable.

3 Product overview

The position numbers refer to the following figure and you will find these numbers in brackets in chapters 6 and 7.

- 1 Seat
- 2 Padding (cover with Velcro system)
- 3 Safety belts
- 4 Footrests with respective belts and regulating pin
- 5 Support arm
- 6 Reflector
- 7 Fixing counter-block
- 8 Fixing block
- 9 4 long screws with respective nuts and Allen wrench
- 10 5 plastic adapters for different frame widths
- 11 Fixing counter-block protective cover
- 12 Plastic fixing plate
- 13 Fixing bridge of the support arm with relative screws
- 14 Fastening cover
- 15 Metal support
- 16 Knob for inclination of backrest

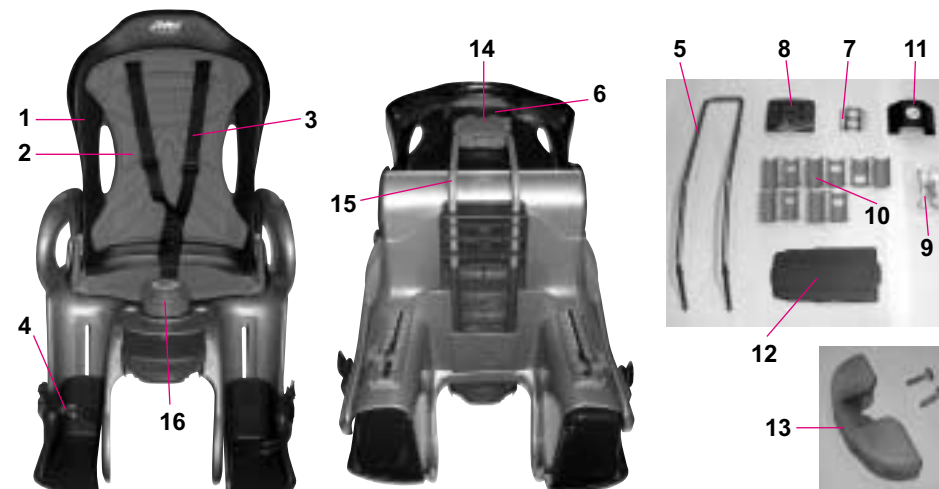


Fig.: Supply of OKBABY child's bicycle seat

4 Product description

The seat is suitable for cycles with 26"/28" wheels and frames with a round section diameter of 28-40 mm. It cannot be mounted on frames of a different diameter or on oval or square section frames.

It cannot be mounted if the carrier is wider than 15 centimetres. In this case, dismount and replace the carrier with a narrower model before mounting the seat. The child's seat is fitted with an "A.B.S." system adjusting the inclination.

We invented and patented this system (Automatic Barycentre System) in order to automatically keep the centre of gravity in the right position on the bike wheel axis, making it even safer for you to transport your child. We have combined comfort with easy steering.




Contact the manufacturer if you are not sure whether the seat is suitable for your bicycle.

5 Signs and symbols

Chapter 6 describes the assembly and chapter 7 the fundamental use of the bicycle seat.


Read these chapters carefully to understand and put the possibilities and functions into practice.

The following terms and symbols are used:

Symbol	Term	Meaning
	DANGER	Warning of possible serious or fatal injury to people
	WARNING	Warning of possible slight injury to people or damage to things
	ATTENTION	Warning of possible defects and/or destruction of the product

IMPORTANT/NOTE An important or useful note is provided

6 Mounting and assembling the seat

 **WARNING!** Follow the safety warnings (see Chapter 1) to avoid injury or damage due to assembly mounting errors!

Do not use the seat if it is damaged!

IMPORTANT/NOTE: The numbers in brackets refer to chapter 3 "Product overview".

IMPORTANT/NOTE: Whilst fixing the seat to the bicycle, take care not to damage or trap any brake wires or wires of the bicycle's electrical system.


Illustration 1:

Fix the backrest to the metal support.

Step 1: open the fastening cover (14).

Step 2: Lift the seat back until it rests on the metal support (15).

Step 3: Close the fixing cover (14) and slide it upwards to hook on the safety lever 24.

 **DANGER!** Check that the fixing cover is blocked by its safety lever. If the cover opens, the child may be moved forward and unbalance the person riding the bicycle.

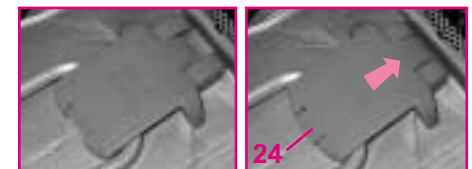
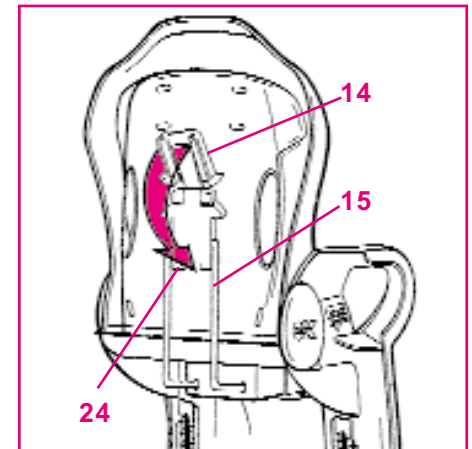


Illustration 2:

Tilt the backrest as far as it will go pressing downwards and at the same time rotating the knob (16).

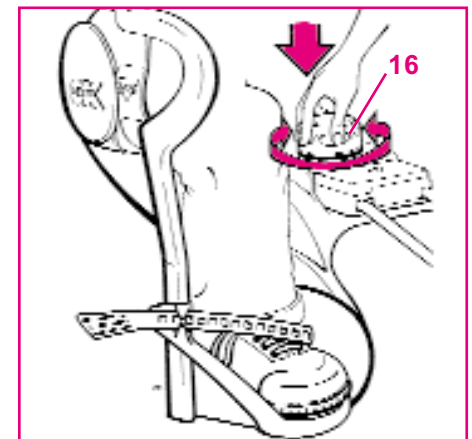
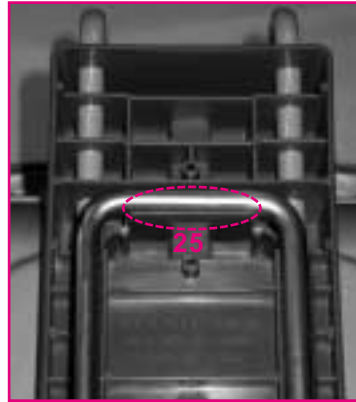
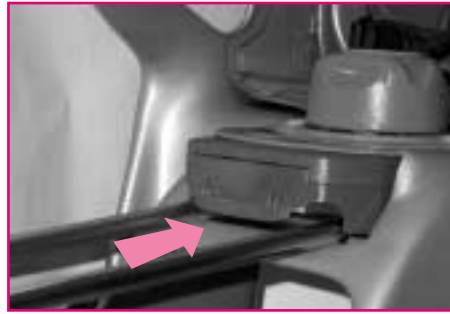
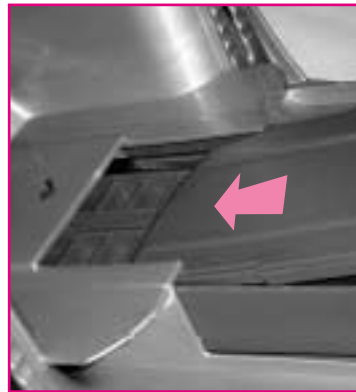
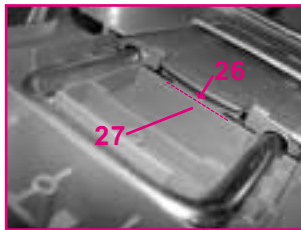


Illustration 3:

Insert the support arm (5) pushing it until the correct position 25.

**Illustration 4:**

Insert the fixing plate (12) pushing it as far as it will go and then hook it with the safety tab 26 going past the wall 27 as in the illustration.

**Illustration 5:**

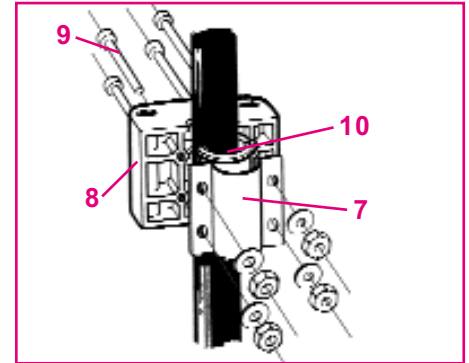
Screw on the fixing bridge (13).

⚠ DANGER! If you do not screw the fixing bridge correctly, the support arm may come out of its housing and cause instability for the rider.

**Illustration 6:**

Choose the plastic adapter (10) suitable to the diameter of the frame of your bicycle and fix the fixing block (8) and the relative fixing counter-block (7) to the bicycle.

Leave the screws (9) slightly loose in order to adjust the height of the seat.

**Illustration 7:**

Take the seat and fit the ends of the support bar (5) in the two holes on the support block.

Make sure that the safety lever 17 is locked into the housings of the support arm.

⚠ WARNING! If the lever snaps into place, you can no longer extract the support bar from the frame fastening block, unless you operate the lever.

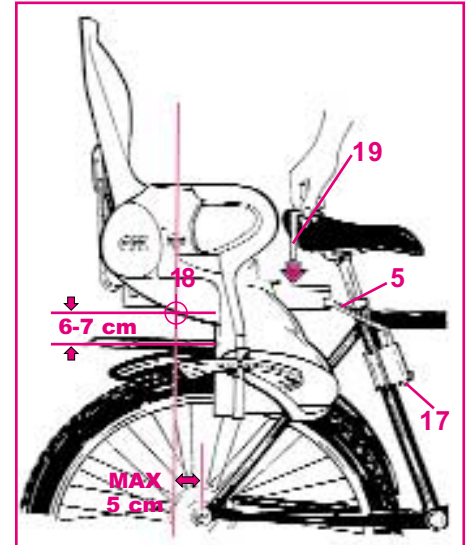
Position the seat back vertically by turning the knob (16) (see illustration 2) anti-clockwise.

At this stage, check that:

The centre of gravity reference point 18 on the seat is not more than 5 mm away from the centre of the wheel.

The child's seat is at least 6-7 cm. away from the mudguard, the wheel or any parcel grid.

If the centre of gravity reference point is over the set limit, move the seat forwards. In this case, proceed as follows:

**Illustration 8:**

With the seat back vertical, loosen the screw 19 using the wrench supplied.

⚠ ATTENTION! Screw 19 must not be unscrewed completely, it must only be loosened to allow the seat to slide on the

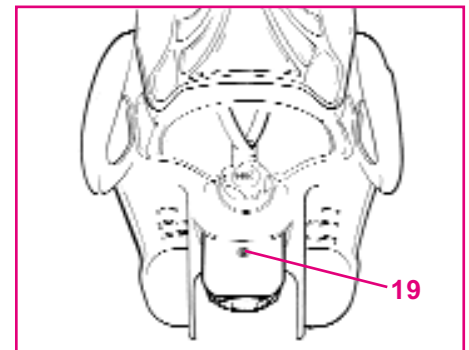
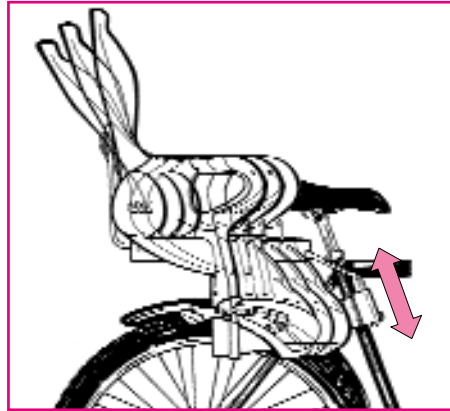


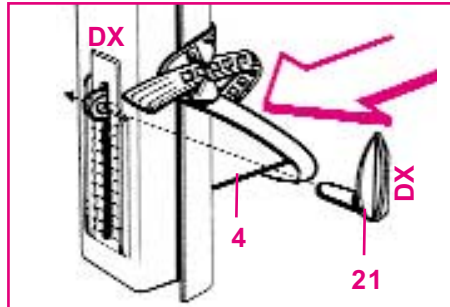
plate. Slide the seat back and forwards until you reach the ideal centre of gravity. Tighten the screw 19. Your seat is now correctly fastened to your bike.

Illustration 9:

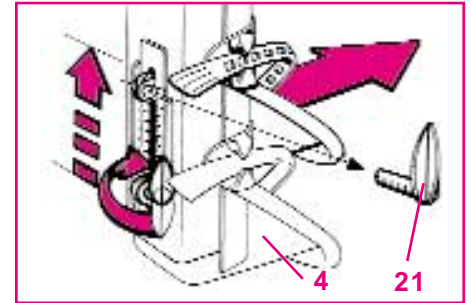
Try several times to tilt the seat back as far as possible, turning the knob (16) clockwise and anti-clockwise. Raise the seat if it is too close to the wheel, and lower it if it is too far away. In this case, proceed as follows. Illustration 6: If necessary, loosen the four lock screws (9) on the fixing counter-block (7). Slide the whole frame fastening block up and down until you reach the desired position. Tighten the screws (9) slowly and evenly until the fixing block stops rotating around the frame. Do not tighten the screws too much.

**Illustration 10:****Fixing the footrests.**

To fix the footrest, insert it into the highest position in the shaped adjustment housing, keeping the fixing bridges of the belts outside the child's seat. Insert the regulating pin 21 from the outside of the seat towards the inside, as shown, making sure that the right pin meets the right side and vice versa. Both of the pins and sides of the seat are marked with DX=right and SX=left. Slide the footrest (4) downwards.

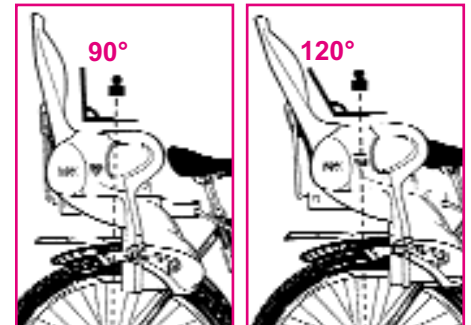
**Illustration 11:****Extracting the footrests.**

To extract the footrest support, rotate the adjustment lever 21 upwards, slide the footrest (4) into the highest position, extract the adjustment lever externally to release the support.

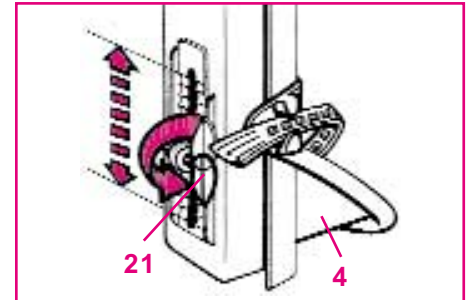
**7 Use****Illustration 1:****Adjusting the inclination of the child's seat.**

Rotate the inclination knob (16) until the desired position of the backrest.

DANGER! Changing the inclination of the backrest, the seat moves forward and the footrests could interfere with pedalling.

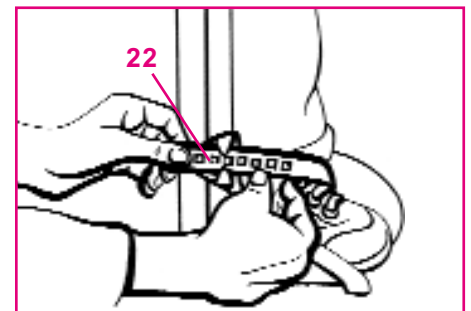
**Illustration 2:****Adjusting the footrests.**

To adjust the height of the footrest (4) rotate the adjustment lever 21 upwards, and when the position desired is reached, rotate the lever downwards to fix the footrest support in the desired position.

**Illustration 3:****Blocking and releasing the child's feet.**

Always make sure that your child's feet are well fastened to the footrests. The strap is long for easy adjustment. To unhook the strap 22, lift it outwards and free it from the bridge trapping it.

WARNING! Do not tighten the belt on the child's foot too tightly, you could hurt him/her or he/she could get cramp during the ride.



⚠ DANGER! When you have fastened the child's feet, it is very important to see if the child is able to free them on its own pulling the child's leg up.

⚠ DANGER! The child may manage to easily pull out its feet out of its shoes, leaving them fixed to the footrest by the strap 22. To prevent this from happening, always check that your child's shoe is securely laced onto its foot.

⚠ DANGER! After having put the child in the seat, ensure that the seat is slightly inclined towards the rear to avoid the child slipping forwards and possibly slipping out of the seat. Then make sure that the backrest of the child's seat is adjusted slightly inclined to the rear.

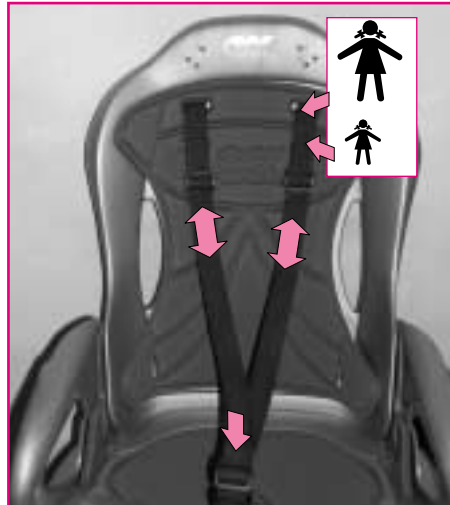


Illustration 4a: Fasten the child's belt.

Adjust the height and length of the belt according to the child's height.

Set the height of the belt:

the belts can be extracted to adjust the height, each time pushing the stop behind the backrest through the opening. Depending on the child's height, select the upper or lower openings to fix the belts.

Adjust the length of the belt:

move the length of the belts by sliding the buckles of the belt. The belts must be fastened firmly without the child being too tight.

Fasten the belt system:

Close the belt.

Check that the fastening of the belt snaps correctly into position, pulling the belt after the snap.

⚠ DANGER! The fastening of the belt is an important element for safety and must be inserted in all cases. The correct fastening must be checked before each ride! The life of a child who is not secured is in danger!

Illustration 4b:

Undoing the belts.

Press the two lateral buttons and the central one on the fastening simultaneously. The fastening is unblocked.

IMPORTANT/NOTE: To ensure maximum safety, it has been made slightly difficult to unblock the belt.



8 Optional accessories

Fixing block no. 37420200

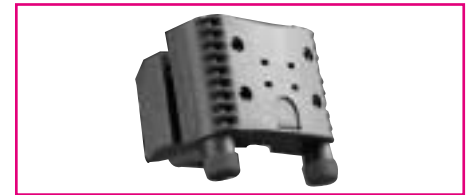
The support arm is not supplied with the fixing block.

Diameter of frame 28-40 mm

(round section)

Diameter of frame 20-40 mm

(elliptical section)



Fixing block no. 37410200

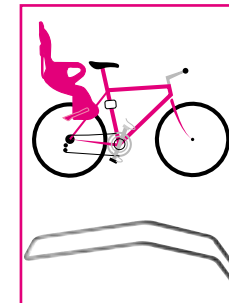
The support arm is not supplied with the fixing block.

Diameter of frame 28-40 mm

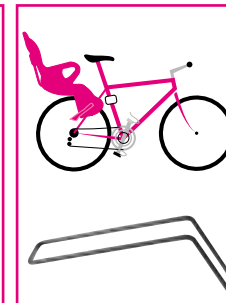
(round section)



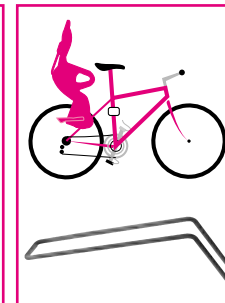
Mounting bracket



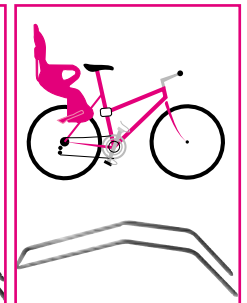
Nr. 37430000
standard bike
frames



Nr. 37430100
bike frames with
rear rake.



Nr. 37430200
bike frames with
front rake.



Nr. 37430700
small bike frames
for ladies' bikes.

9 Cleaning and disposal

Clean the belts, the seat and the padding with warm water and a neutral detergent for delicate items. Do not use solvents or corrosive and abrasive detergents in order not to scratch the seat.

Leave the padding to dry in the air. Do not iron!

The seat and all its accessories must be disposed of and recycled at the various ecological stations or platforms. Identify the ecological platform or station nearest to you, the specialized personnel will recycle all the components without polluting.

Do not dispose of the seat in the rubbish bins!

10 List of problems

Problem	Possible cause/s	Remedy
The blocking screws cannot be tightened and/or have been tightened excessively during assembly.		<ul style="list-style-type: none"> • Replace the screws and nuts. • Only use screws that correspond to the original screws and/or get information from the manufacturer/dealer. • Use self-blocking nuts.
The fixing block is not completely tightened.	The thickness or the shape of the frame are not suitable.	<ul style="list-style-type: none"> • Do not mount the child's bicycle seat on the corresponding bicycle.



DANGER! Do not make any modifications to the product!
Parts that are important for safety must be repaired by specialized personnel only.

11 Guarantee and assistance

In all European Union countries, Okbaby assumes all and only the legal obligations of guarantee for the manufacturer according to the relevant Community rules and, in particular Directive no. 99/44/EC and the corresponding national laws of implementation (in Italy: articles 1519-bis and following of the Civil Code) which lay down two years of guarantee.

For the above guarantee to be applied, please pay special attention to all the indications shown above and in particular those relative to the product

characteristics and its use; to the instructions for assembly and/or installation and any rules regarding work by qualified personnel; to the methods of normal use of the product; to any special warnings regarding safety and precautions in the use of the product.

In particular, the guarantee is not applicable in the event of damage caused by neglect, use or installation that does not comply with the instructions provided, damage due to accidental causes or negligence by the purchaser. The parts subject to wear following use, which do not show manufacturing defects, are also excluded from the guarantee.

With the exception of what is expressly laid down by the law, claims for the guarantee are not to be made directly with the manufacturer but with the retailer from whom you purchased the product. Please keep the receipt or purchase invoice in a safe place.

Repairs must be carried out only by authorized and specialized personnel.

Address for assistance:

Telephone: +39 (035) 830004

Fax: +39 (035) 832961

E-mail for technical information: aq.baldelli@okbaby.it

12 Technical data

Product OKBABY SIRIUS child's bicycle seat

Dimensions 70x41x58 cm (HxLxD)

Weight 5,300 g

13 Conformity and manufacturer

In conformity with the following European Directives, the following mark has been applied:

EN 14344

The declaration of conformity has been registered with the manufacturer.

Manufacturer:

OKBABY SRL

Via Del Lavoro 26

24060 Telgate BG Italy

www.okbaby.it